

On-grid All-in-One Energy Storage System BESS 125-271



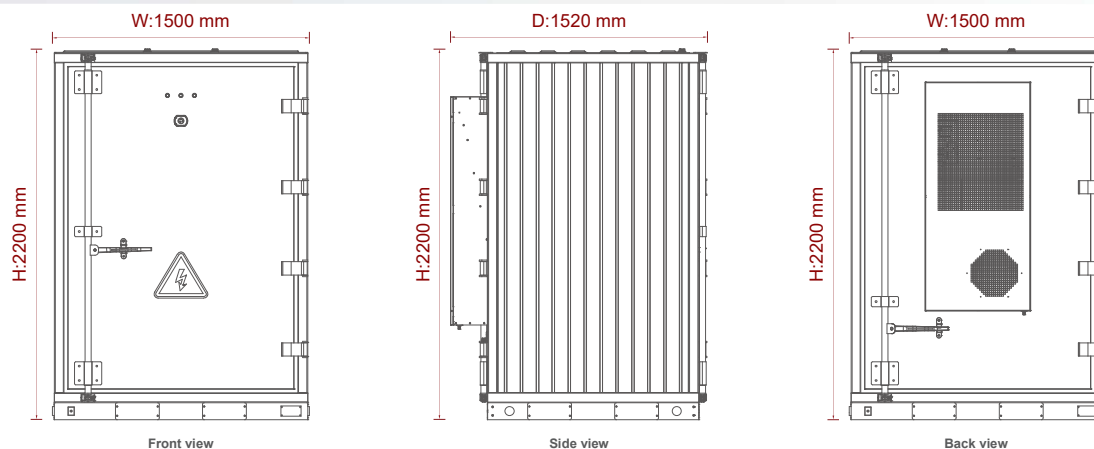
• Features

- Two level BMS built-in.
- Intelligent thermal management system
- IP55 fire and explosion proof cabinet.
- Fire proof devices in each modular and in the cabinet.
- Easy for on site installation.

• Product Introduction

YIY BESS 125-271 all-in-one commercial and industrial ESS integrates PCS, BMS, EMS, battery, intelligent thermal management, power distribution, fire protection, etc. Its all-in-one design facilitates installation and O&M. Also, the system's safety design ensures better battery performance and longer service life. Multiple cabinets can be directly connected in parallel for system expansion.

• Product Dimensions



• Technical Parameter

BESS 125-271		
Battery Parameters		
Battery Module	Voltage	57.6V
	Capacity	314 Ah
	Energy	18 kWh
	Cooling method	Intelligent constant temperature system
Battery Cluster	Rated voltage	864V
	Grouping method	1P 270 S
	Rated capacity	314 Ah
	Output voltage range	756V~950V
	Rated energy	271kWh
	Max continuous charging current	157 A
	Max continuous discharge current	157 A
PCS Parameters		
PCS Parameter	Rated current	181A
	PCS overload capacity	x1.1 continuous;x1.25(30ms)
	PCS output power	125kW
	Maximum continuous output power	137.5kW
	Total THDi	≤3%
	Maximum efficiency	≥98.5%
	AC-side voltage of PCS	3P3W+PE/3P4W+PE, 400 V
	Frequency	50Hz/60Hz
	Power factor	-1~1
		Battery side voltage
Parallel	Parallel No.	Max 5 pcs
System Parameters		
System Parameters	Dimension(W*D*H)	1500*1520*2200mm
	Weight(kg)	/
	Display	7-inch Resistive Touch Screen
	Fire protection systems	Aerosol Fire Module
	Degree of protection	IP55
	Certification	CE;IEC62619;UN38.3
	Working temperaturerange	-30~60°C(> 45°C derating)
	Cooling	Intelligent Thermal Management System
	Relative humidity	5~95%(No Condensing)
	Storage temperature(<6month)	0~35°C
	Short-term storage temperature(<1month)	-20~55°C
	Highest altitude	4000m(>2000m derating)

Hybrid All-in-One Energy Storage System

BESS 50-126-75



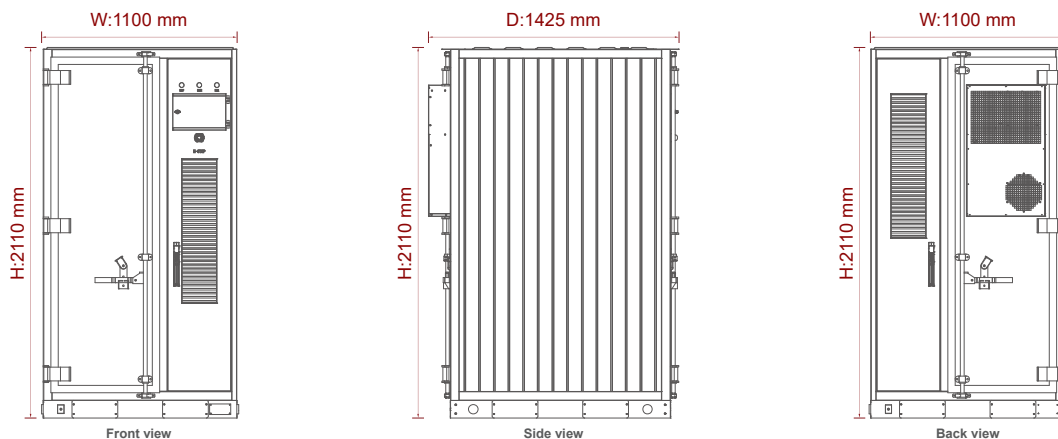
• Features

- Two level BMS built-in.
- Intelligent thermal management system
- IP55 fire and explosion proof cabinet.
- Fire proof devices in each modular and in the cabinet.
- Easy for on site installation.

• Product Introduction

YIY BESS 125-271 all-in-one commercial and industrial ESS integrates PCS, BMS, EMS, battery, intelligent thermal management, power distribution, fire protection, etc. Its all-in-one design facilitates installation and O&M. Also, the system's safety design ensures better battery performance and longer service life. Multiple cabinets can be directly connected in parallel for system expansion.

• Product Dimensions



• Technical Parameter

BESS 50-126-75		
Battery Parameters		
Battery Module	Voltage	57.6V
	Capacity	314Ah
	Energy	18 kWh
	Cooling method	Intelligent constant temperature system
Battery Cluster	Rated voltage	403V
	Grouping method	1P126S
	Rated capacity	314Ah
	Output voltage range	352.8V~447.3V
	Rated energy	126.6kWh
	Maximum continuous charging current	157A
	Maximum continuous discharge current	157A
Work Environment	Charging temperature	0~45°C
	Discharge temperature	-20~50°C
	Operating humidity	RH≤80%
	Short term storage(<1months)	-20~55°C
	Storage humidity	RH≤80%
PCS Parameters		
PCS	Rated current	73A
	overload capacity	x 1.25 (100S)
	output power	50kW
	AC port voltage	3P3W+PE/3P4W+PE, 400 V
	frequency	50Hz
	Power factor	-1~1
	Battery side voltage	350V-850V
PV	Maximum power	38.4kW+38.4kW
	Number of branch inputs	2
	PV Max voltage	850V
	PV start voltage	250V
	MPPT voltage range	200V-800V
	Maximum PV current	64A+64A
System Parameters		
General Date	Dimension(W*D*H)	1100*1425*2110mm
	Weight(kg)	1620KGS
	Degree of protection	IP54
	Working temperature range	-30~60°C > 45 (derating)
	Cooling	Air Cooling
	Relative humidity	5~95%(no condensation)
	Highest altitude	4000m(>2000m derating)

Hybrid All-in-One Energy Storage System

BESS 60-217-75



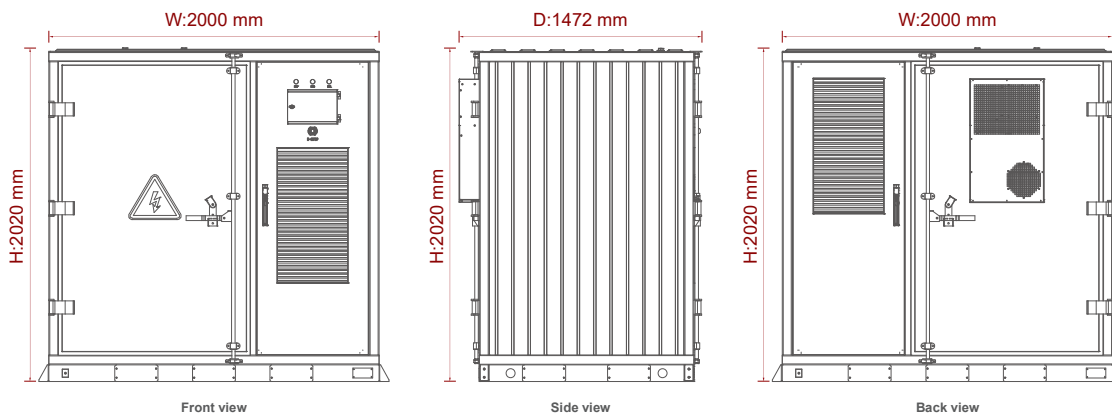
• Features

- Two level BMS built-in.
- Intelligent thermal management system
- IP55 fire and explosion proof cabinet.
- Fire proof devices in each modular and in the cabinet.
- Easy for on site installation.

• Product Introduction

YIY BESS 125-271 all-in-one commercial and industrial ESS integrates PCS, BMS, EMS, battery, intelligent thermal management, power distribution, fire protection, etc. Its all-in-one design facilitates installation and O&M. Also, the system's safety design ensures better battery performance and longer service life. Multiple cabinets can be directly connected in parallel for system expansion.

• Product Dimensions



• Technical Parameter

BESS 60-217-75		
Battery Parameters		
Battery Module	Voltage	57.6V
	Capacity	314 Ah
	Energy	18 kWh
	Cooling method	Intelligent constant temperature system
Battery Cluster	Rated voltage	691.2V
	Grouping method	1P 216 S
	Rated capacity	314 Ah
	Output voltage range	604.8V~766.8V
	Rated energy	217.03kWh
	Max continuous charging current	157 A
	Max continuous discharge current	157 A
Work Environment	Charging operation temperature range	0~45°C
	Discharging operation temperature range	-20~50°C
	Working humidity	RH≤80%
	Short-term storage temperature(<1month)	-20~55°C
Cabinet	Storage humidity	RH≤80%
	Protection level	IP54
PCS Parameters		
PCS	Rated current	87A
	PCS overload capacity	x 1.25(100S)
	PCS output power	60kW
	AC-side voltage of PCS	3P/N/PE, 230 V / 400 V
	Frequency	50Hz/47Hz~52Hz(60Hz/57Hz~62Hz)
	Power factor	-1~1
	Battery side voltage	420V-850 V
PV	Max power	38.4kW+38.4kW
	Number of branch inputs	2
	PV Max voltage	850V
	PV startup voltage	250V
	MPPT voltage range	200V-800V
	PV Max current	64A+64A
System Parameters		
System Parameters	Dimension(W*D*H)	2000*1472*2020mm
	Weight(kg)	< 2900
	Display	7-inch Resistive Touch Screen
	Fire protection systems	Aerosol Fire Module
	Degree of protection	IP54
	Certification	CE;IEC62619;UN38.3
	Working temperaturerange	-30~60°C(> 45°C derating)
	Cooling	Air Cooling
	Relative humidity	5~95%(No Condensing)
	Highest altitude	4000m(>2000m derating)

Hybrid All-in-One Energy Storage System

BESS 125-271-240



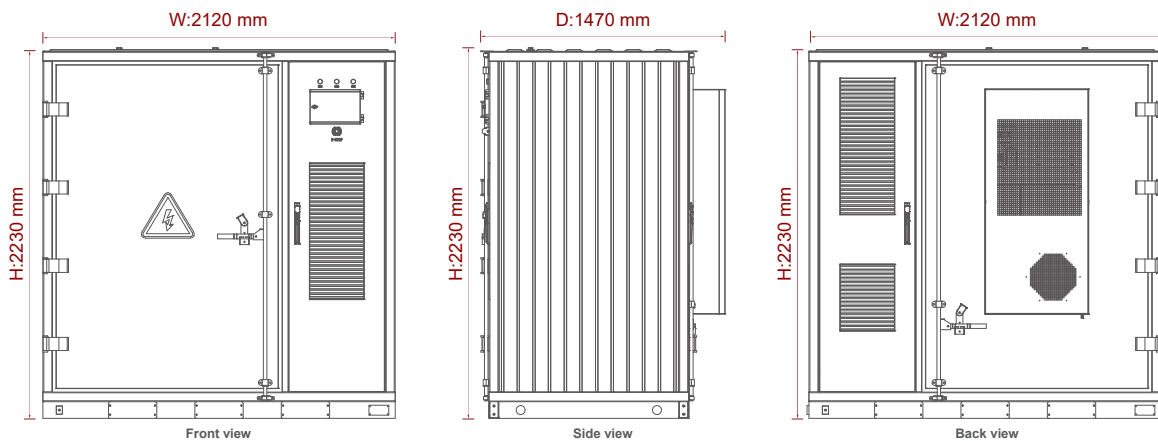
• Features

- Two level BMS built-in.
- Intelligent thermal management system
- IP55 fire and explosion proof cabinet.
- Fire proof devices in each modular and in the cabinet.
- Easy for on site installation.

• Product Introduction

YIY BESS 125-271 all-in-one commercial and industrial ESS integrates PCS, BMS, EMS, battery, intelligent thermal management, power distribution, fire protection, etc. Its all-in-one design facilitates installation and O&M. Also, the system's safety design ensures better battery performance and longer service life. Multiple cabinets can be directly connected in parallel for system expansion.

• Product Dimensions



• Technical Parameter

BESS 125-271-240		
Battery Parameters		
Battery Module	Voltage	57.6V
	Capacity	314 Ah
	Energy	18 kWh
	Cooling method	Intelligent constant temperature system
Battery Cluster	Rated voltage	864V
	Grouping method	1P 270 S
	Rated capacity	314 Ah
	Output voltage range	756V~950V
	Rated energy	271kWh
	Max continuous charging current	157 A
	Max continuous discharge current	157 A
Work Environment	Charging operation temperature range	0~45°C
	Working humidity	RH≤80%
	Storage humidity	RH≤80%
Cabinet	Protection level	IP54
PCS Parameters		
PCS Parameter	Rated current	181A
	PCS overload capacity	x1.1 continuous;x1.25(30ms)
	PCS output power	125kW
	AC-side voltage of PCS	3P/N/PE, 230 V / 400 V
	Frequency	50Hz/60Hz
	Power factor	-1~1
	Battery side voltage	680V-950 V
STS	Rated power	170KVA
	AC voltage	400V/230V(-20%~15%)
	Frequency	50Hz/60Hz(±5Hz)
	Max AC current	250A
MPPT	PV side	
	Max power	120kW*2
	MPPT voltage range	200V-950V
	Rated voltage	600V
	Startup voltage	250V
	PV input string	4
	PV Max current	50A+50A+50A+50A
	Short-Circuit Current	60A+60A+60A+60A
	High voltage side	
	Voltage range	500V-950V
	Rated voltage	680V
Max current	180A	
Parallel	Parallel No.	Max 5 pcs
System Parameters		
System Parameters	Dimension(W*D*H)	2120*1470*2230mm
	Weight(kg)	/
	Display	7-inch Resistive Touch Screen
	Fire protection systems	Aerosol Fire Module
	Degree of protection	IP54
	Certification	CE;IEC62619;UN38.3
	Working temperaturerange	-30~60°C(> 45°C derating)
	Cooling	Intelligent Thermal Management System
	Relative humidity	5~95%(No Condensing)
	Highest altitude	4000m(>2000m derating)